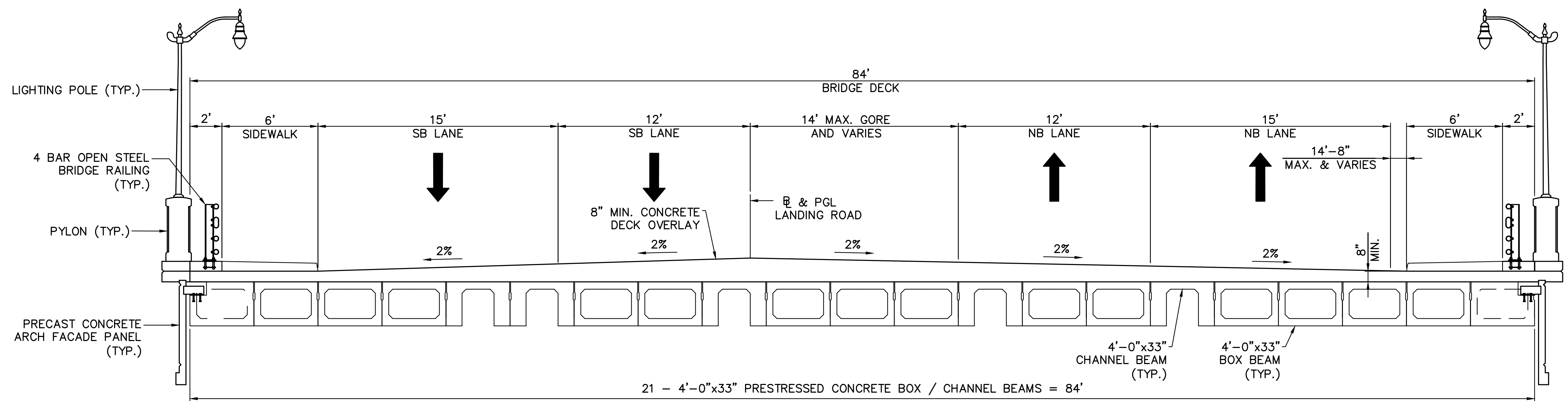


Date	Revision	Drawn By	Checked By
<b>REPLACEMENT OF LANDING RD. BRIDGE NO. 1400-073</b> <b>OVER THE NJ TRANSIT AND MORRIS CANAL</b> Township of Roxbury      Morris County      New Jersey			
<b>GENERAL PLAN &amp; ELEVATION</b>			
<b>TYLIN INTERNATIONAL</b> One Edgeview Drive Hackettstown, NJ 07840 Tel. 908.850.3366		Job #: 361193 Scale: AS NOTED Date: MAY 2018	
<b>Steven C. Panayi, P.E.</b> PROFESSIONAL ENGINEER N.J. LICENSE NO. 24CE03992800		Drawn By: VALUE	Sheet #: --- of ##
		Checked By: VALUE	

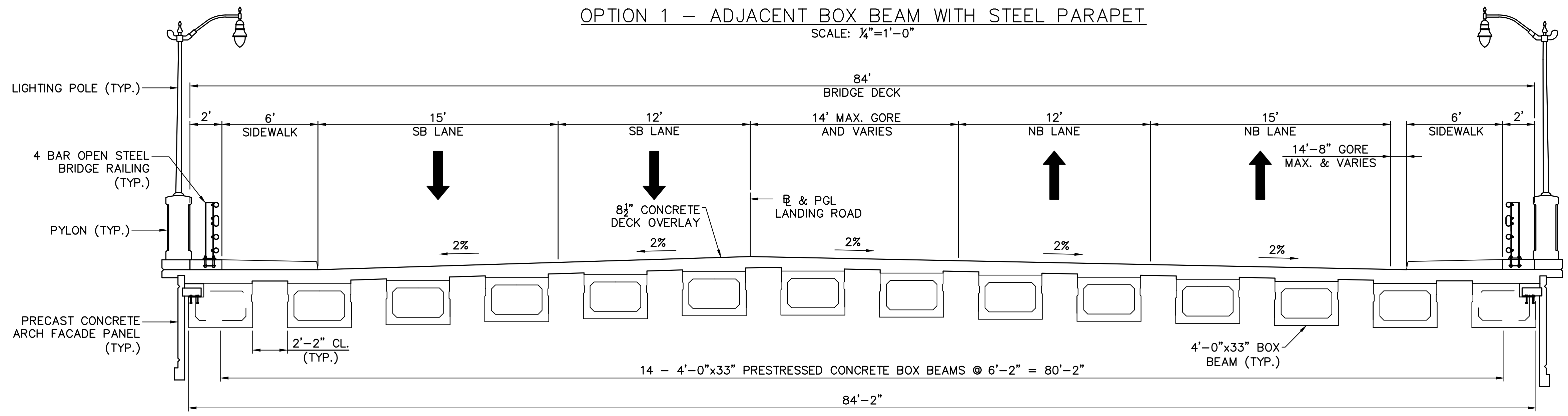
PROJECT: USER: Michael Vigilante      TIME: 11:37 AM      DATE: 5/8/2018  
 FILE: T:\Hackettstown\Projects\361193\0600\_CADD\05\_Official\Sheet\361193-S-BR-CPE.dwg



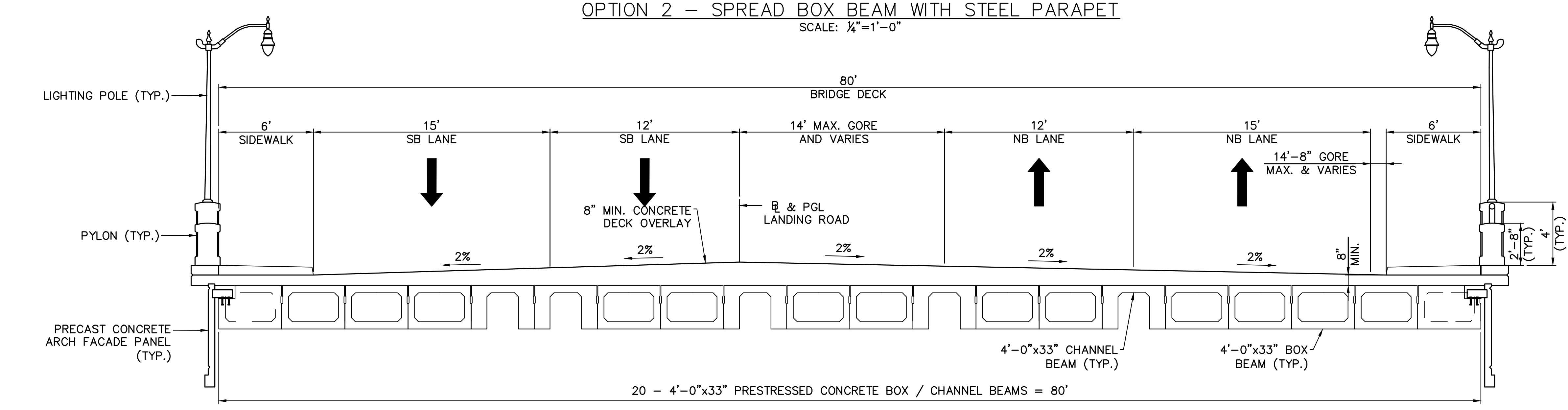
PROJECT: USER: Michael Vigilante  
 TIME: 9:28 AM  
 DATE: 5/8/2018  
 TY LIN INTERNATIONAL  
 FILE: T:\hacketstown\Projects\361193\0000\_CADD\05\_Official\Sheets\361193-S-DK-SC.dwg



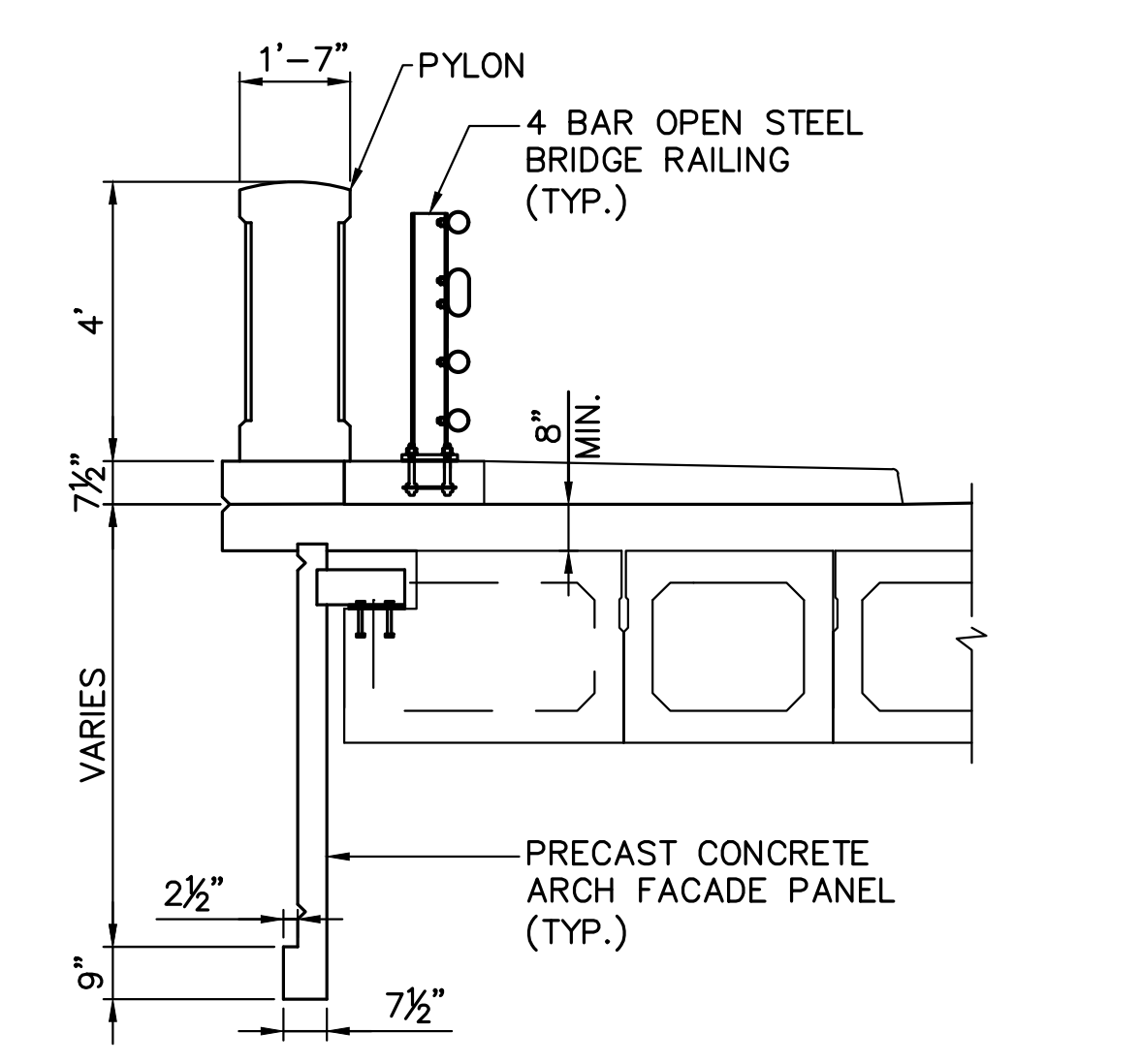
OPTION 1 - ADJACENT BOX BEAM WITH STEEL PARAPET  
 SCALE: 1/4" = 1'-0"



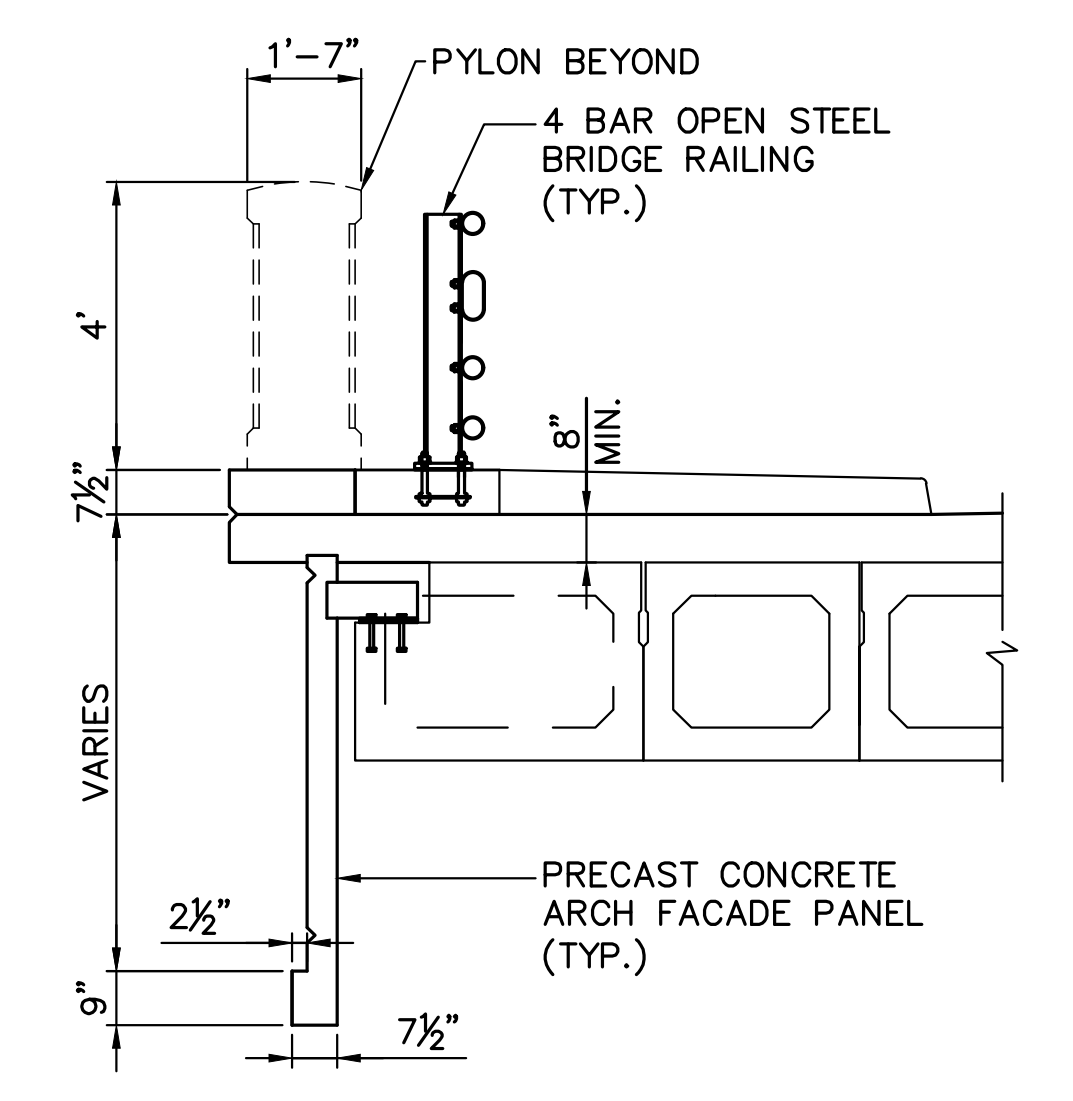
OPTION 2 - SPREAD BOX BEAM WITH STEEL PARAPET  
 SCALE: 1/4" = 1'-0"



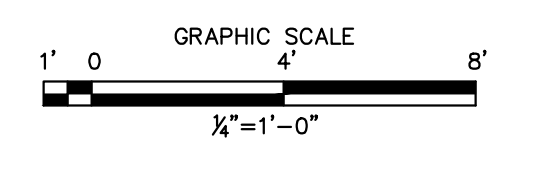
OPTION 3 - CONCRETE PARAPET WITH PIPE RAIL  
 SCALE: 1/4" = 1'-0"



SECTION AT INTERMEDIATE PYLONS  
 SCALE: 3/8" = 1'-0"



SECTION BETWEEN INTERMEDIATE PYLONS  
 SCALE: 3/8" = 1'-0"



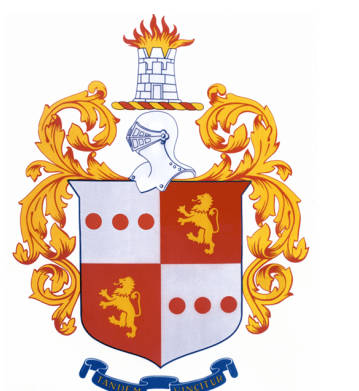
Date	Revision	Drawn By	Checked By
REPLACEMENT OF LANDING RD. BRIDGE NO. 1400-073 OVER THE NJ TRANSIT AND MORRIS CANAL			
Township of Roxbury		Morris County	New Jersey
<b>TYPICAL DECK SECTION OPTIONS</b>			
<b>TY LIN INTERNATIONAL</b> One Edgeview Drive Hackettstown, NJ 07840 Tel. 908.850.3366		Job #: 361193 Scale: AS NOTED Date: MAY 2018	Sheet #: # of ##
Steven C. Panayi, P.E. PROFESSIONAL ENGINEER N.J. LICENSE NO. 24GE03992800		Drawn By: VALUE	Checked By: VALUE





**Proposed Landing Road Bridge**  
With Single Rail, Pipe and Post Barrier Treatment

**TYLIN** INTERNATIONAL



Morris County, NJ